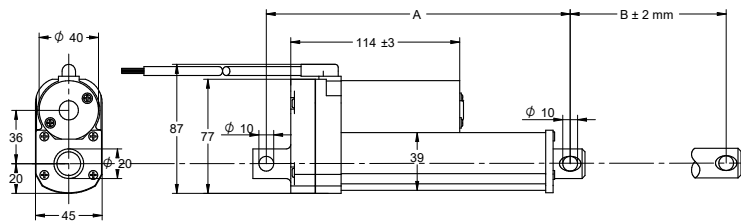


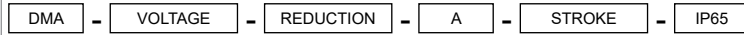
DRAWING (mm)



PHOTO



MODEL NO. DESIGNATION



Example: DLB-12-5-A-50-IP65

OPTIONS ACCESSORIES



C = customizations are offered on demand even for smaller quantities. Typical customizations are indicated with a green dot at column end. Please contact us for any customization request.

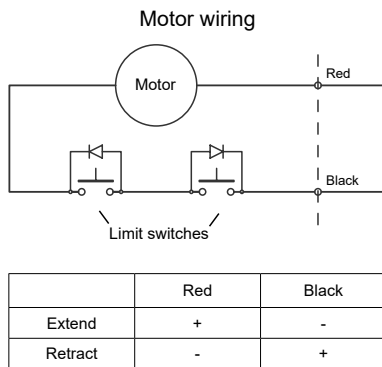
ACTUATOR DATA C

Reduction		10	20	30	40	50	C
Voltage	V	12   24	12   24	12   24	12   24	12   24	
Current at nominal dynamic load	A	4.4   2.4	4.6   2.3	4.3   2.3	4.5   2	4.1   2.2	
Nominal dynamic load	N	500	1000	1500	2000	2500	
Max. static load	N	1500	4500	4500	4500	4500	
Speed at nominal dynamic load	mm/s	19	11	6.8   7.2	5.1   5.7	4.4	

ACTUATOR STROKE DATA C

Stroke length B	mm	100	150	200	250	300	C
Retracted length A	mm	205	255	305	355	405	
Life time number single strokes		40000	27000	20000	16000	13000	
Weight	kg	1.1	1.2	1.2	1.4	1.4	

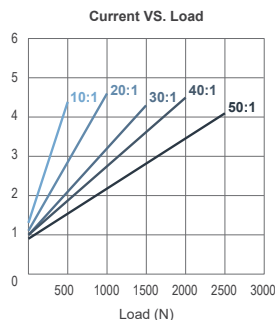
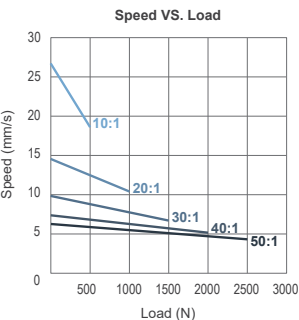
WIRING DIAGRAMS



ACTUATOR FEATURES C

Type	Electric linear actuator		
Motor type	Brush PM DC motor		
Cable type	Flying wire (3+2 wires)		C
Cable length	mm	900	C
Voltage	V	12   24	C
Screw type	ACME		
Screw pitch	mm	4.23	
Noise level	dB(A)	≤ 70	C
Life time	4 million mm total stroke		
Limit switches	Yes, integrated non-adjustable		C
Direction movement	By reversing voltage polarity		
Stroke tolerance	mm	± 2.5	
Duty cycle	%	25	
Max. duty operational time	s	60 nominal dynamic load	
IP rating	IP65		
Insulation class	F		
Max. motor winding temp.	°C	155	
EMC	EN55014 IEC61000		
Gearbox	Metal spur gears		
Motor pinion gear	Metal SMF5030		
Gearbox material	Aluminum die cast		
Rod and house material	Aluminum 6061		
Feedback options	Potentiometer or hall sensor		
Operating and storage temperature	°C	-25 to 65	
Manufacturing quality standards	ISO 9001:2008		
General actuator tolerance	%	± 15	

MOTOR GRAPHS 12 V



MOTOR GRAPHS 24 V

