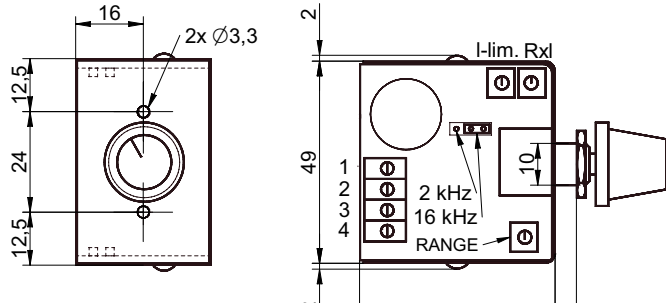


DRAWING (mm)



PHOTO



MODEL NO. DESIGNATION

DPWM - Max. power

Example: DPWM-200

ACCESSORIES



● C = customizations are offered on demand even for smaller quantities. Typical customizations are indicated with a green dot at column end. Please contact us for any customization request.

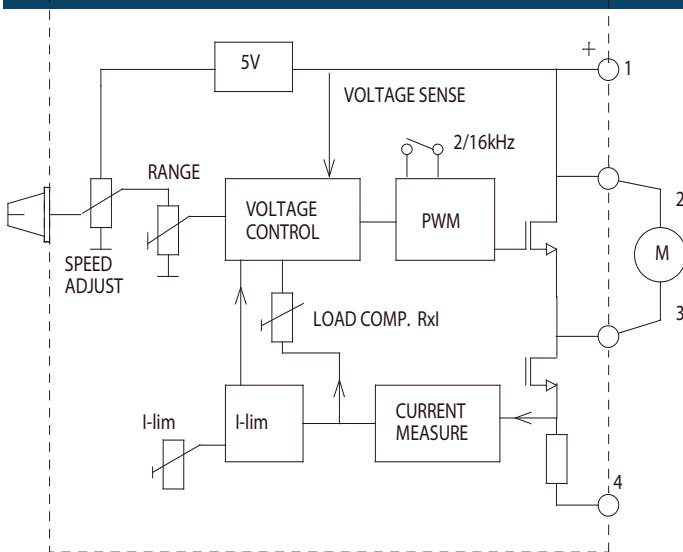
DC MOTOR SPEED CONTROLLER DATA			C
Supply voltage	V	10 to 35	
Oversvoltage limit	V	38	
Undersvoltage limit	V	10	
Startup voltage	V	11	
No load current	mA	20	
Nominal current ¹	A	20	
Peak current ²	A	30	
Short circuit protection ³		External fuse	
Power losses ⁴	W	5 4	
Current limit adjustment	A	1 to 30	
PWM frequency	kHz	2 16	
Max. motor cable cross-sectional area	mm ²	2.5	
Operating temperature	°C	-20 to 60	
Weight	g	85	
Temperature limit	°C	90	

DC MOTOR SPEED CONTROLLER FEATURES			C
Power range	W	30 to 200	
Compatible motor		Brushed DC motor	
Efficiency	%	90	
EMC		EN50081-2 EN50082-2	

NOTES

1. Measured at 50°C.
2. Peak current sustainable for 10 seconds.
3. Fuse max. current 30 A.
4. 5 W at 20 A and 16 kHz, 4 W at 20 A and 2 kHz.

WIRING DIAGRAM



VOLTAGE VS POTENTIOMETER GRAPH

