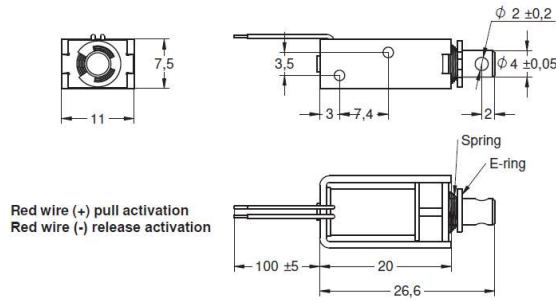


K0420L (latching pull type)

DRAWING (mm)



PHOTO



MODEL NO. DESIGNATION

K0420L - VOLTAGE
Example: K0420L-12V

SOLENOID DATA

Duty cycle / ED (%) ▶	Continuous (100%)	Intermittent (50%)	Intermittent (25%)	Intermittent (10%)
Watts @ 20°C ▶	1	2	4	10
Maximum time in energized state (in seconds) ▶	∞	18	12	4

Part ▼	Resistance (20°C) $\pm 10\%$ (Ω) ▼	DC Volts (V) ▼			
K0420L-06V	36	6	8,5	12	19
K0420L-12V	144	12	17	24	38
K0420L-24V	576	24	34	48	76

SOLENOID FEATURES AND STANDARD DATA

	STANDARD	CUSTOMIZATION OPTIONS
Type	Pull type latching DC solenoid	
Cable	Flying wire 230mm	Length, type and connector
Voltage	3 to 24 VDC @ 100% ED	Other voltages upon request
Life time	At least 500.000 single strokes	
Plunger material	Carbon steel 12L14	
Protection class	IP00	
Insulation grade	B	
Operating temperature	-5°C ... +40°C	
Manufacturing quality standards	ISO9001:2008, ISO/TS 16949:2002	
RoHS compliance	Yes	
CE approval	No	
UL approval	No	

ADDITIONAL DATA

Holding force, permanent magnet	100g
Weight	10g
Return spring	Yes

SPRING DATA

Loading force @ 3mm compression	18g
Loading force @ ? compression	?

PLUNGER PROFILE



DIAGRAM

