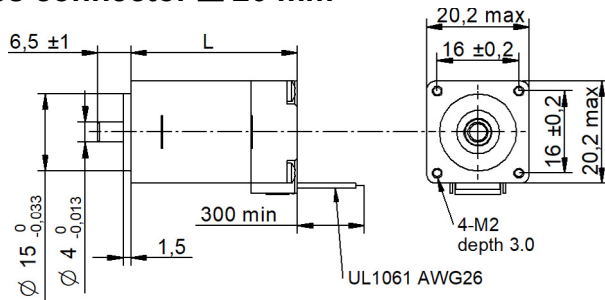


SHC20-18 Series connector □ 20 mm

DRAWING (mm)



PHOTO



MODEL NAME DESIGNATION

SHW3520 - STEP ANGLE - CURRENT

Example: SHW35-09-100



OPTIONS MOTOR DRIVERS AND POWER SUPPLIES



MOTOR FEATURES

Step angle	1.8
Step angle accuracy	± 5% full step no load
Shaft material	X8CrNiS18-9 SUS303
Bearing type	Ball bearing
Radial play	0.02 mm 450 g
Axial play	0.08 mm 450 g
Max. radial force	10N 20 mm from shaft
Max. axial force	4N
Dielectric strength	600VAC 1 sec.
Insulation resistance	100MΩ 500VDC
Ambient temperature	-20° - (+50°)
Insulation class	Class B
IP rating	IP30
Connection harness	UL 1061 AWG26 300 mm
Connector	CWB ZH-5A

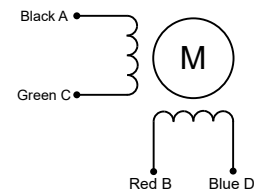
CUSTOMIZATION EXAMPLES

- Shaft configurations
- Bearing type and preload
- Temperature range
- IP rating
- Winding and performance optimization
- Cabling and harness
- Gear box to motor combinations
- Encoder to motor combinations

OPTIONS

- Stepper motor drivers Transmotec DS series
- Power supplies Transmotec LRS series

EXCITATION SEQUENCE TABLE



PIN	1	5	2	3
CW	A	C	B	D
1	●		●	
2		●	●	
3		●		●
4	●			●
1	●		●	

● = + Polarity

MOTOR DATA

Graph	A	B	C
Motor model	SHC2030-18-060	SHC2033-18-060	SHC2042-18-060
Holding torque mNm	18	18	30
Detent torque mNm	2.0	2.0	2.0
Rotor inertia gcm ²	2.0	2.0	3.6
Current phase A	0.60	0.60	0.60
Resistance phase Ω	6.50	6.50	5.40
Inductance mH	1.7	1.7	1.5
Length mm	30.0	33.0	42.0
Weight Kg	0.060	0.060	0.080

SPEED | TORQUE PERFORMANCE GRAPH PULL OUT

Graph	A	B	C
Supply voltage VDC	24	24	24
Current phase A	0.60	0.60	0.78

