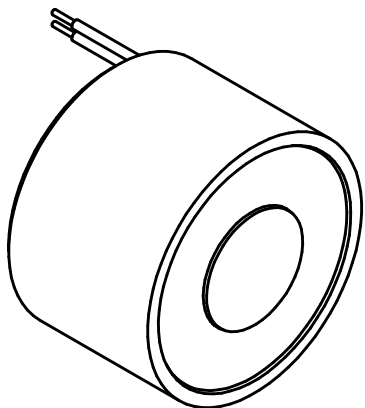




Label

EM4027  
 Date: YY.MM.DD  
 www.transmotec.com



 <b>TRANSMOTEC</b> <a href="http://www.transmotec.com">www.transmotec.com</a>	Article No. EM4027		Base model			
	Scale 1:1	Projection 	Dimension units mm	Date 2019-07-11	Rev. Date 2023-06-20	Rev. No. 2

**Copyright**

This drawing contains confidential information and is the property of Transmotec Sweden AB, without whose permission it may not be copied, shown or handed to a third party or otherwise used and is to be returned promptly upon request to the design owner, who is responsible for the drawing.